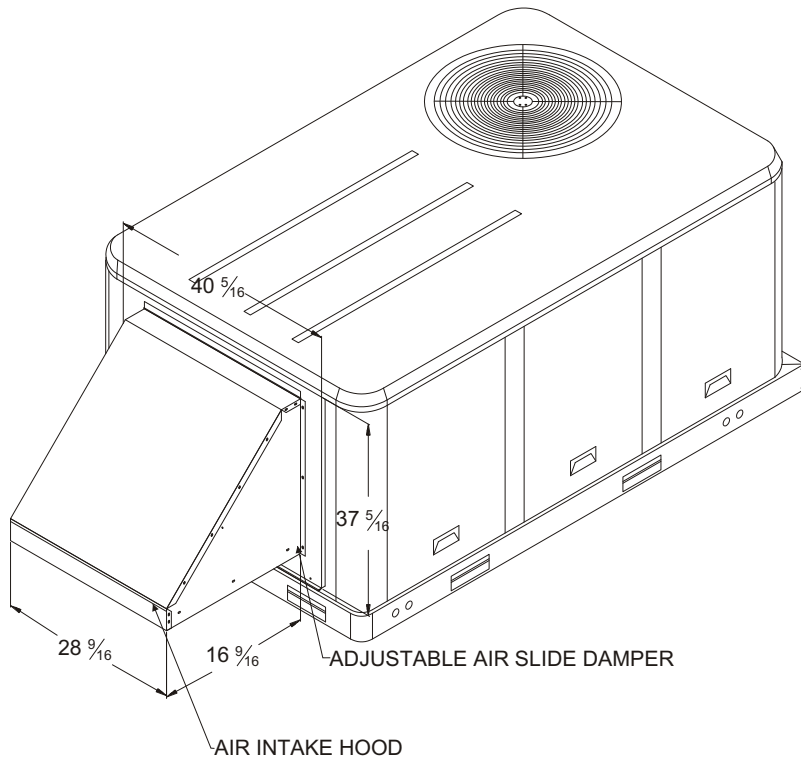


**RSI MODEL#: 70-300-26
0-100% MANUAL FRESH AIR**

The RSI 0-100% manual outside air system is designed to replace the unit duct cover. No drilling on the unit or field assembly of the 70-300-26 is required. The amount of outside air is controlled by simply adjusting the slide damper. The panel is fully insulated.



**RSI MODEL#: 70-302-26
0-100% MOTORIZED FRESH AIR**

The RSI 0-100% motorized outside air system is designed to replace the unit duct cover. No drilling on the unit is required.

The 70-302-26 incorporates a 2-position control motor that opens the intake damper when the blower is energized. The amount of air is controlled by the adjustable slide damper. The intake panel is fully insulated.

