

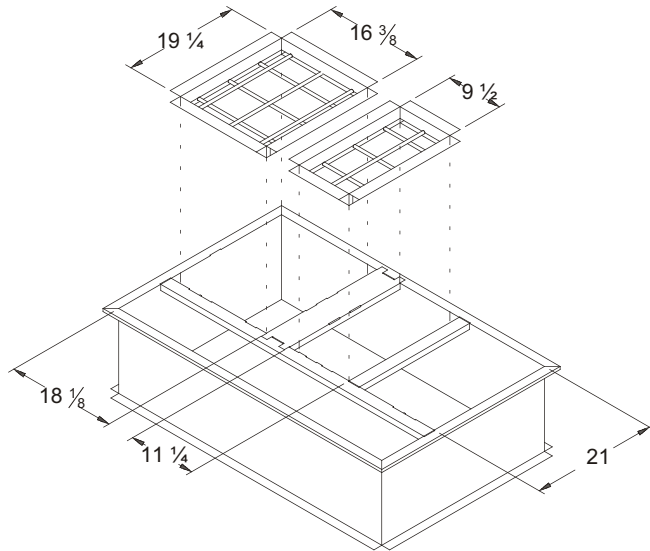
**BURGLAR BAR KITS
FOR USE WITH
70-201-12** (BAYCURB038A)**

Notes:

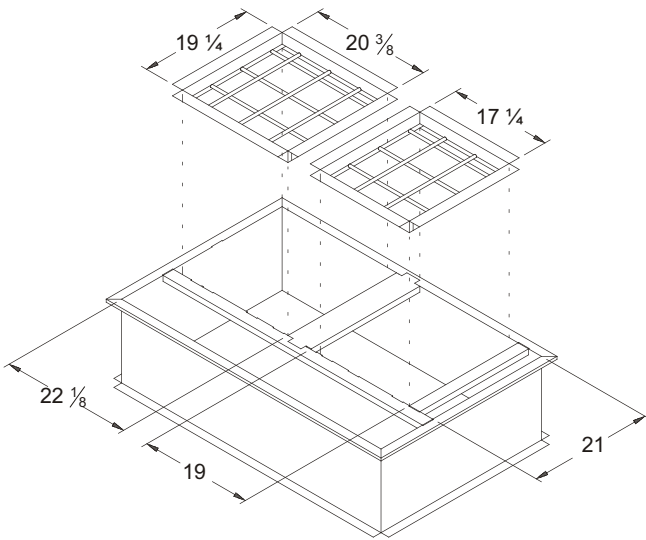
1. Kit is made to fit duct opening sizes of roof curb.
2. Ready to be installed in roof curb duct openings
3. Bars are welded on 6" centers at each bar.

| *DUCT SUPPORT ARRANGEMENT | RSI MODEL# | DUCT SIZE | |
|---------------------------|------------|-----------------|-----------------|
| | | RETURN | SUPPLY |
| 018-036 | 70-910-12 | 17 5/8 x 11 | 20 1/2 x 10 3/4 |
| 030-042 | 70-910-14 | 20 1/2 x 21 5/8 | 20 1/2 x 16 1/4 |
| 048-060 | 70-910-13 | | 20 1/2 x 18 1/2 |

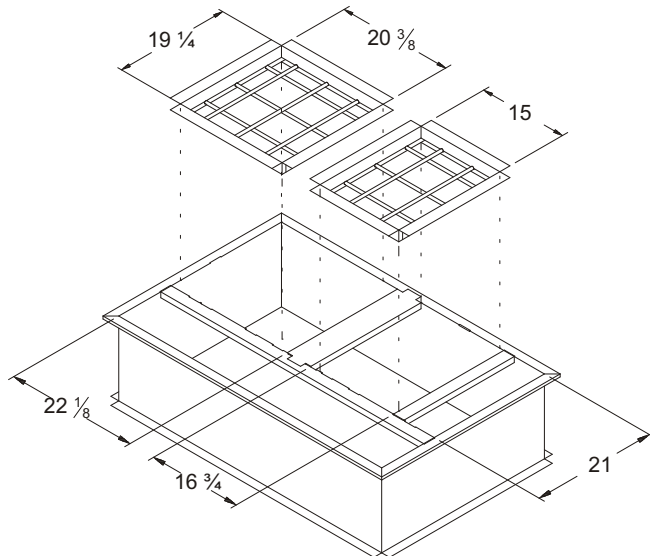
**RSI MODEL#: 70-910-12
BURGLAR BAR KIT**



**RSI MODEL#: 70-910-13
BURGLAR BAR KIT**



**RSI MODEL#: 70-910-14
BURGLAR BAR KIT**



| TRANE MODEL# | |
|--------------|---------|
| UNIT | SIZE |
| TCC | 018-060 |
| WCC | |
| YCC | |
| YCX | |
| TCY | 024-060 |
| WCY | |
| YCY | |
| WCZ | 036-060 |
| YCZ | |
| TCX | 042-060 |
| WCX | |

The * can be replaced with C, X, Y, or Z.