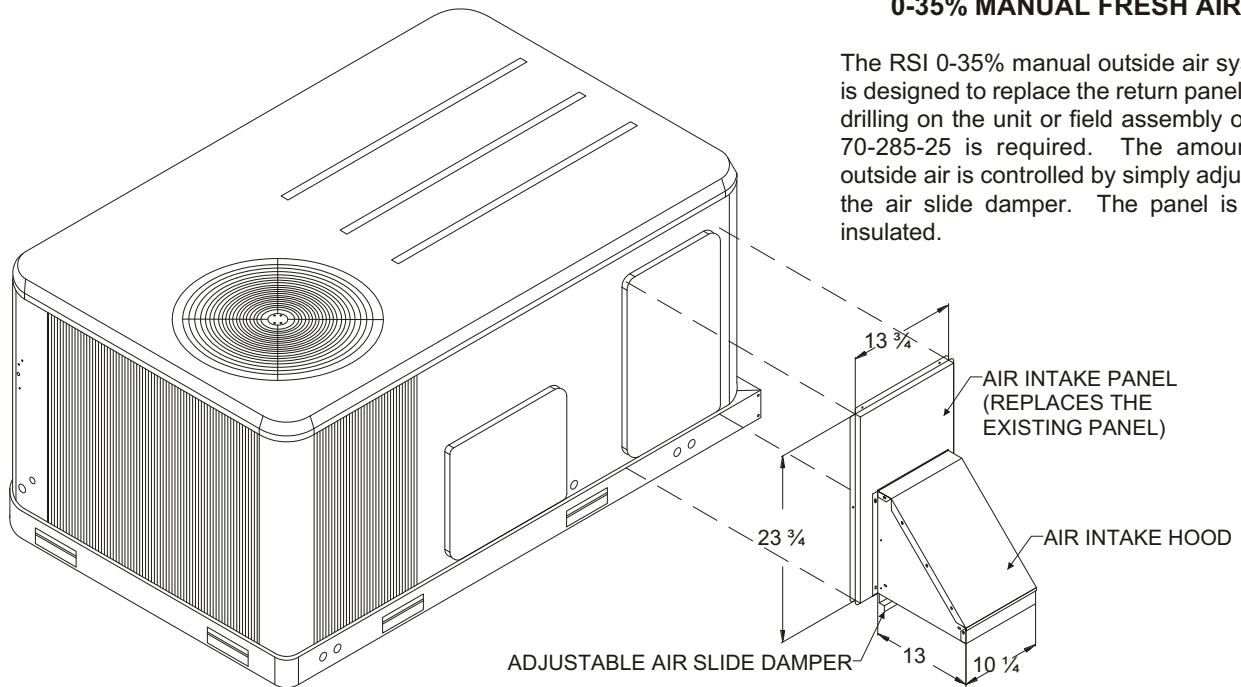


**RSI MODEL#: 70-285-25
0-35% MANUAL FRESH AIR**

The RSI 0-35% manual outside air system is designed to replace the return panel. No drilling on the unit or field assembly of the 70-285-25 is required. The amount of outside air is controlled by simply adjusting the air slide damper. The panel is fully insulated.



**RSI MODEL#: 70-287-25
0-35% MOTORIZED FRESH AIR**

The RSI 0-35% motorized outside air system is designed to replace the unit access panel. No drilling on the unit is required.

The 70-287-25 incorporates a 2-position control motor that opens the intake damper when the blower is energized. The amount of air is controlled by simply adjusting the air slide damper. The intake panel is fully insulated.

