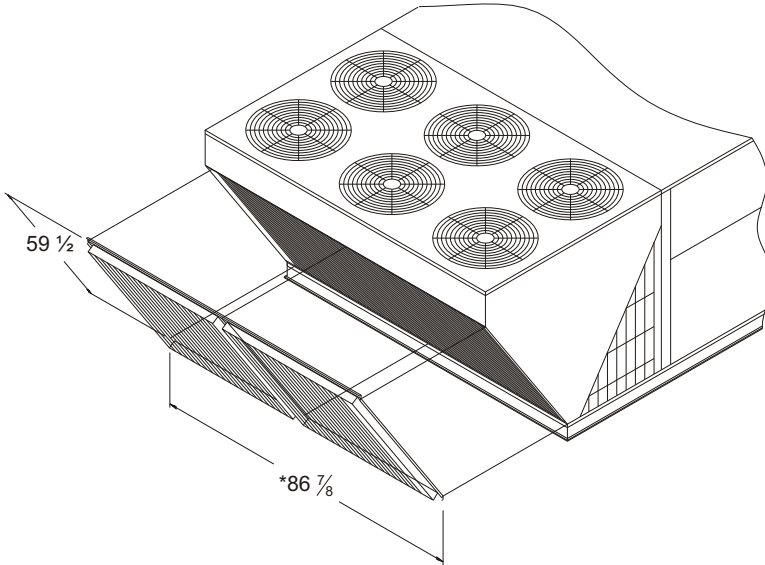


**RSI MODEL: 50-801-33**  
**CATALOG# 88K53-01**  
**COIL GUARD**



The RSI Coil Guard is made of 18 gauge expanded steel with a 2 inch extended painted frame. Mounting hardware is field provided.

Notes:

1. **Caution when installing be sure not to puncture condenser coil.**
- \* The dimension comes from when the two parts are fastened together.

**RSI MODEL: 50-805-33**  
**CATALOG# 88K26-01**  
**HAIL GUARD**

The RSI Hail Guard is made of 18 gauge expanded steel with a hood painted to match unit. Mounting hardware is field provided.

Notes:

1. Hail guards are shipped knocked down.
2. **Caution when installing be sure not to puncture condenser coil.**

