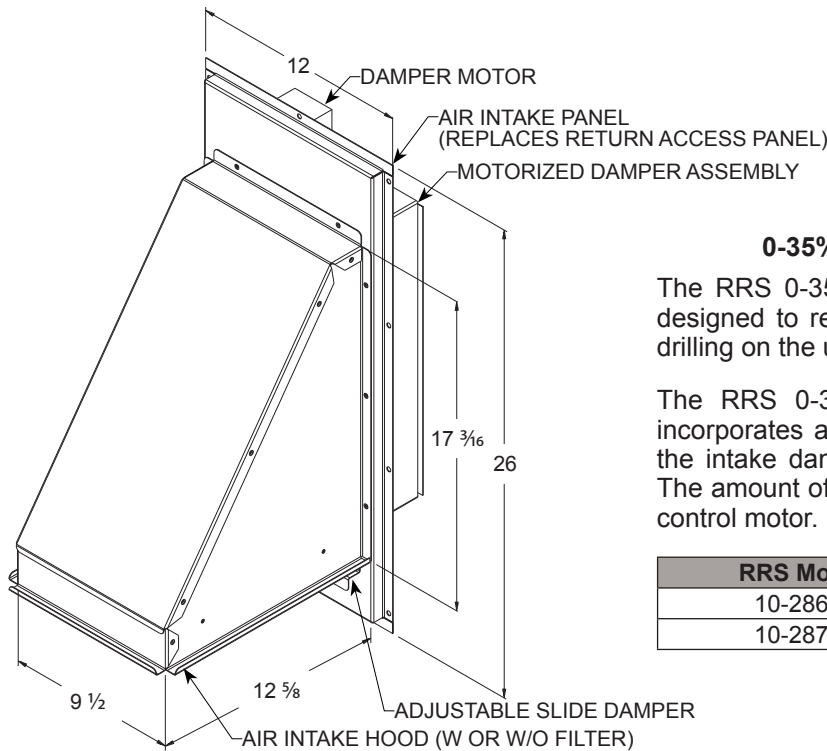


### 0-35% MANUAL FRESH AIR

The RRS 0-35% manual outside air system is designed to replace the return access panel. No drilling on the unit or field assembly is required. The amount of outside air is controlled by simply adjusting the slide damper. The panel is fully insulated.

RRS Model#	Mist Eliminator Filter
10-284-09	Without Filter
10-285-09	With Filter



### 0-35% MOTORIZED FRESH AIR

The RRS 0-35% motorized outside air system is designed to replace the return access panel. No drilling on the unit is required.

The RRS 0-35% motorized outside air system incorporates a 2-position control motor that opens the intake damper when the blower is energized. The amount of air is controlled by the adjusting the control motor. The intake panel is fully insulated.

RRS Model#	Mist Eliminator Filter
10-286-09	Without Filter
10-287-09	With Filter