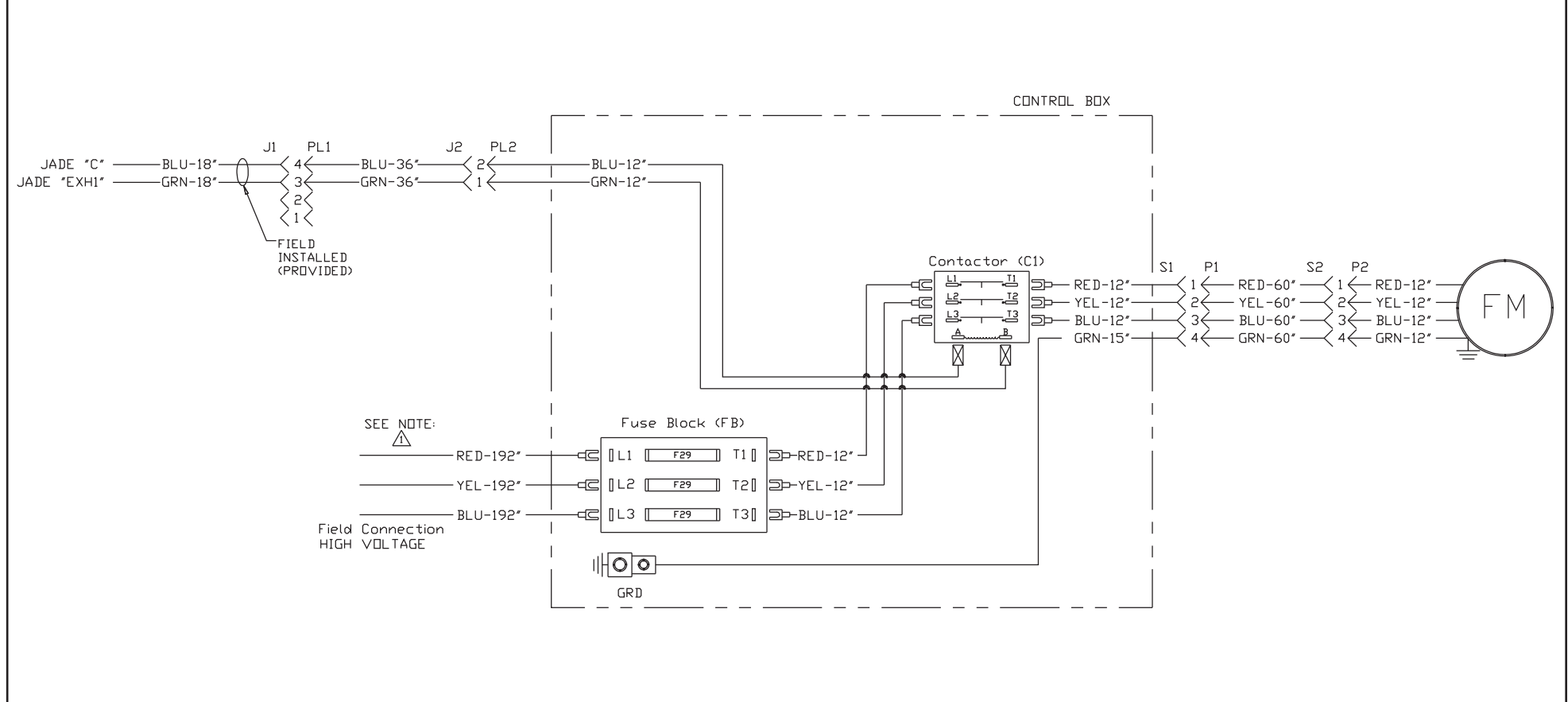


MATERIALS LIST		
QTY	RSI PART#	DESCRIPTION
66"	30000093	Wire 18 Ga. Green
288"	300000103	Wire 14 Ga. Red
288"	300000105	Wire 14 Ga. Yellow
288"	300000106	Wire 14 Ga. Blue
87"	300000107	Wire 14 Ga. Green
1	300000153	Fuse Holder - 3-Pole
3	300000157	Fuse - 10 AMP
1	300000183	Contactora - 30 AMP 3-ph 24V Coil
10	300000270	Spade 16/14 Ga. Wire
1	300000291	Amp 2 Cir Cap Conn Female
1	300000292	AMP 2 Cir Plug Conn Male
1	300000303	Lug - Ground
1	300000329	Blower - A12X12A Belt
6	300000418	Wire Nut (Orange)
2	300000584	Female ¼" Quick Disc. (Insul)
66"	30018420	Wire 18 Ga. Blue
3	30303906	AMP 4 Cir Plug Conn. Male
3	30303907	AMP 4 Cir Cap Conn. Female
12	30303912	AMP Pin Contact Male
12	30303913	AMP Socket Contact Female
20	380431695	Wire Ties - 3 ¾"L
1	410430030	V-Belt - 56"
1	610431671	Motor - 1 ½ HP 1725 RPM
1	700000038	Pulley - 12" Dia. x 1" Bore
1	700000041	Pulley(Vari) - 6" Dia. ⅝" Bore

CONNECTOR & CONTACT CONFIGURATION				COMPONENT CODE		WIRE COLOR CODE		Revision	Change	Date			
J1	(30303907)	CAP	(30303913)	SOCKET	C1	Contactora	PL2	Control Box Plug Male LV	BLK	Black	A	Redesign Unit	05-05-12
J2	(300000291)	CAP	(30303913)	SOCKET	FB	Fuse Block	S1	Control Box Female	BLU	Blue	B	Added J1 Harness	08-13-12
P1	(30303906)	PLUG	(30303912)	PIN	FM	Fan Motor	S2	Unit Harness Cap Female	BRN	Brown	C	Changed Title Block	12-06-13
P2	(30303906)	PLUG	(30303912)	PIN	F29	Fuse			CLR	Clear	D	Added Correct Drawing	06-10-16
PL1	(30303906)	PLUG	(30303912)	PIN	GRD	Ground			GRN	Green	E	Changed motor from 610431466	03-26-19
PL2	(300000292)	PLUG	(30303912)	PIN	J1	Power Exhaust Harness			ORG	Orange			
S1	(30303907)	CAP	(30303913)	SOCKET	J2	Control Box Jack Female			RED	Red			
S2	(30303907)	CAP	(30303913)	SOCKET	P1	Fan Harness Plug Male			VIO	Violet			
HIGH VOLTAGE HARNESS LEADS ARE 14 GA. WIRE					P2	Control Box Plug Male			WHT	White			
					PL1	Field Harness Plug Male			YEL	Yellow			



Notes:

1. Connect to load side of RTU blower contactor or separate power source.
2. Blower RPM is factory set at 665.
3. Connect harness to economizer logic module and power exhaust socket (J1)

**230 Volt 3-Phase Power Exhaust for
DCC / DCG / DCH 120**

RRS ROOFTOP SYSTEMS

1625 Diplomat Drive
Carrollton, Texas 75006
Phone (972) 247-7447
Fax (972) 243-0940

Date: March 26, 2019
Supersedes: 06-10-16
Drawn by:
Unit #: 10-455-10B-23
Diagram#: 1045510w
Approved by: