

INSTALLATION INSTRUCTIONS

MODEL (-)XRF - FBB1 / FGB1

0-35% MOTORIZED OUTSIDE AIR

The 0-35% manual outside air system is designed to replace the unit duct cover. No drilling on the unit or field assembly is required. A 2-position control motor opens the intake damper when the blower is energized. The amount of air is controlled by the a slide damper on damper motor. The intake panel is fully insulated.

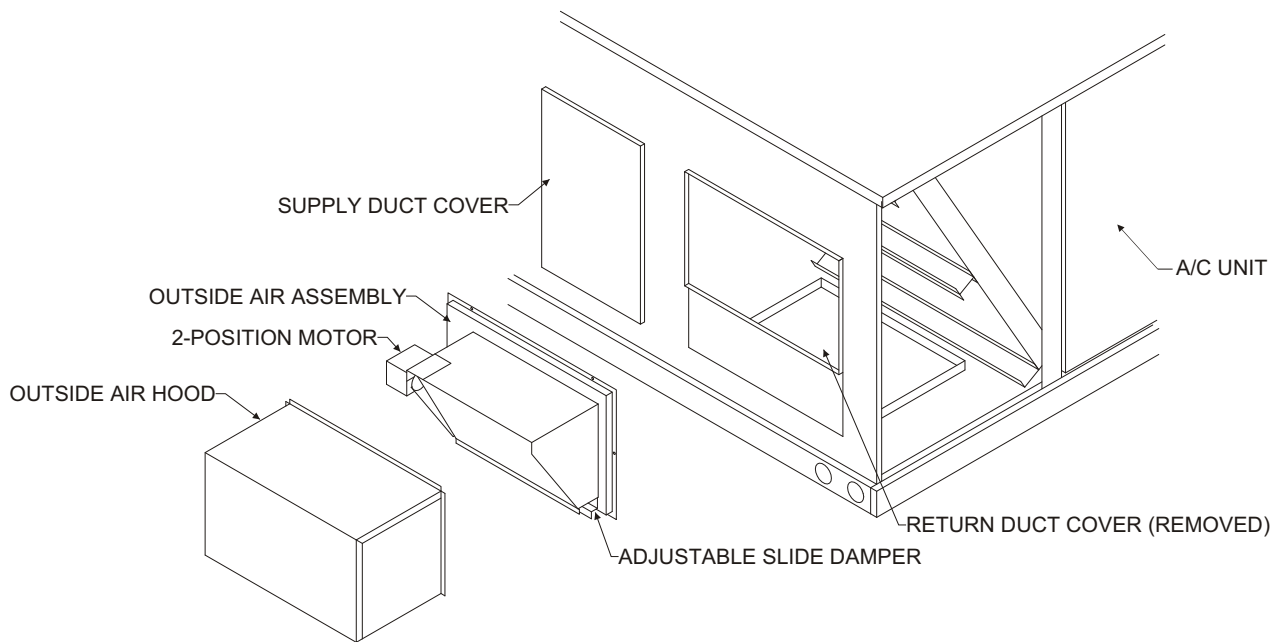


Figure 1

Step 1:

Check for correct number of parts. See list below:

- 1 ea. - Outside Air Intake damper assembly with hood and slide damper.

Step 2:

Remove return air duct cover from unit, and save the screws.

Step 3:

Remove filter access panel. Plug the "PL5" connector to "PL2" connector in return section.

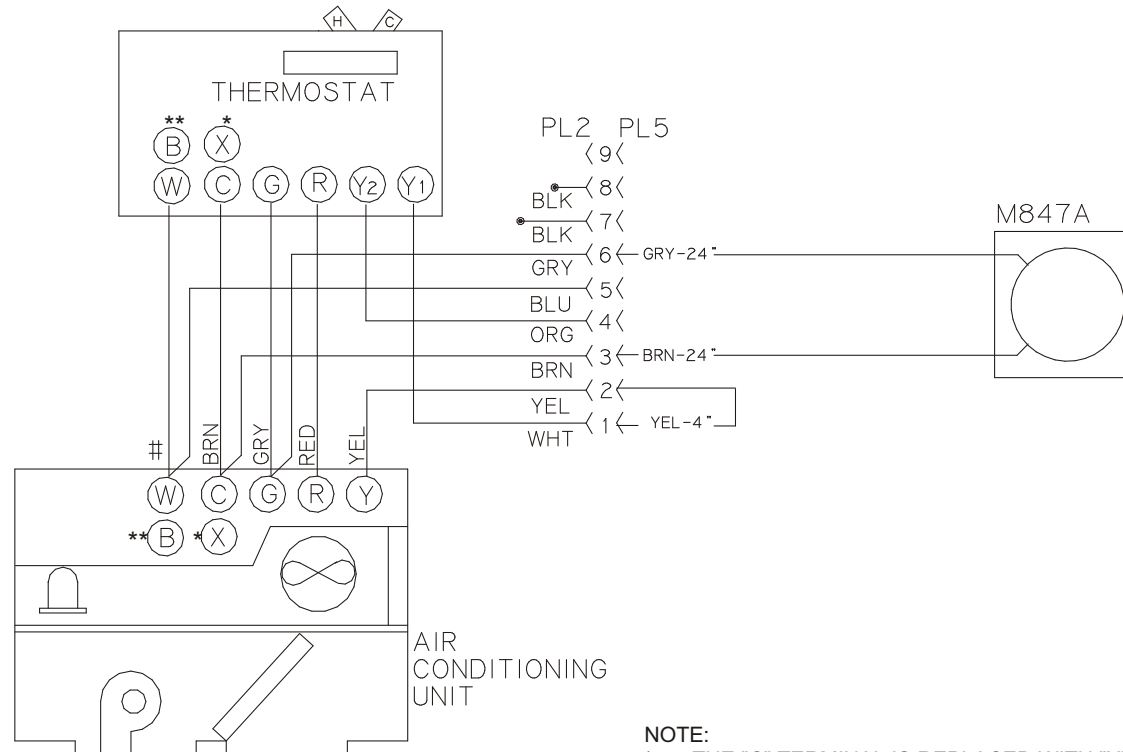
Step 4:

Install outside air assembly as shown in Figure 1 over duct opening with the screws removed in Step 2.

Step 5:

Adjust the slide damper to the desired position.

HARNESS DETAIL	COMPONENT CODE	WIRE COLOR CODE	Revision	Change	Date
			A	Changed Title Block	06-17-09
E# = WIRE END DESIGNATION E2 STUD #6 18 Ga. Wire E3 Female ¼ Quick Disc. E4 Male ¼ Quick Disc. Insul E6 Wire Nut Size 73B	Economizer M847A Damper Actuator 24v PL5 Male Damper Plug PL2 Female A/C Unit Plug	BLK Black BLU Blue BRN Brown GRN Green ORG Orange RED Red WHT White YEL Yellow			
HARNESS ENDS AT PL5					



CONNECTOR & CONTACT CONFIGURATION
 PL5 (303903) PLUG - (303901) PIN

NOTE:

- * THE "C" TERMINAL IS REPLACED WITH "X" TERMINAL ON HEAT PUMP.
- ** THE "W" TERMINAL IS REPLACED WITH "B" TERMINAL ON HEAT PUMP.
- # UNIT L.V. PIGTAIL "BK/WH" ON PACKAGED ITS "BK" AND "BL" ON HEAT PUMP.

Notes:

1. Unit wiring shown as reference only. Check unit wiring for actual unit wiring.

0-35% MOTORIZED DAMPER
RKNA/LNA/JNA 036-060
RKKA/JKA/LKA/KMA/JMA/LMA/KNL/LNL/JNL 036-072

Rheem Manufacturing
 5600 Old Greenwood Rd
 Ft. Smith, AR 72917-7010

Form# 35MAD20BW

Date: June 17, 2009
 Supersedes: 08-26-98
 Drawn by: MGL
 Unit #: 60-287-20B
 Diagram#: 28720BW
 Approved by: