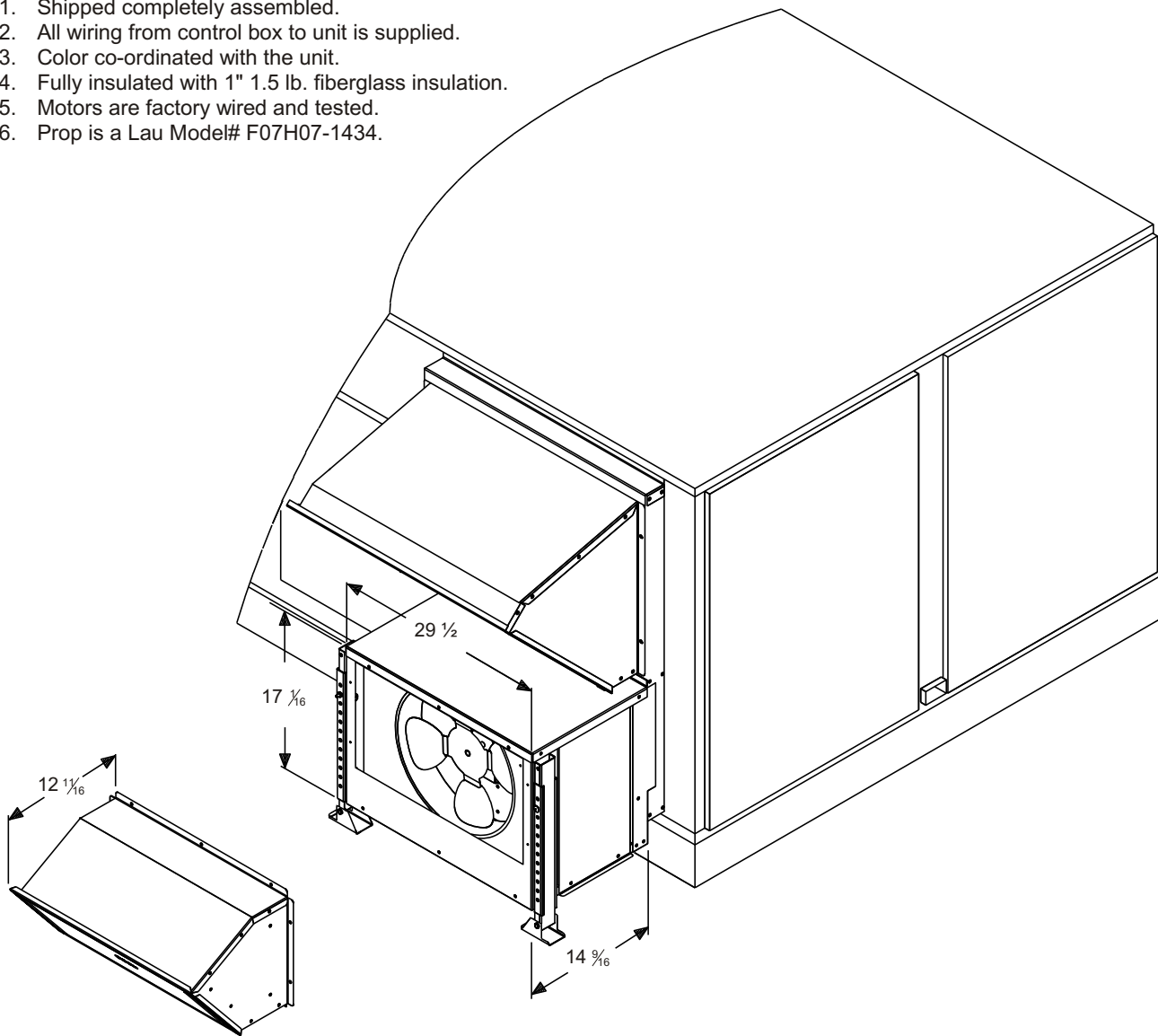


RHEEM MODEL#: RXRX-BGF03*
RSI MODEL#: 60-465-08-**
POWER EXHAUST ACCESSORY (PROP)
DOWNFLOW APPLICATION

Notes:

1. Shipped completely assembled.
2. All wiring from control box to unit is supplied.
3. Color co-ordinated with the unit.
4. Fully insulated with 1" 1.5 lb. fiberglass insulation.
5. Motors are factory wired and tested.
6. Prop is a Lau Model# F07H07-1434.



RHEEM MODEL#	RSI MODEL#	VOLT	PHASE	MOTOR				UNIT (PER CIRCUIT)				CFM @ .1
				HP	RPM	LRA	QTY	CIR. QTY	FLA	MCA	FUSE SIZE	
RXRX-BGF03C	60-465-08-21	208-230	1	1/2	1725	25.6	1	1	4.8	6.0	10	2,350
RXRX-BGF03D	60-465-08-31	460	1	1/2	1625	14.3	1	1	1.6	2.0	5	2,350
RXRX-BGF03Y	60-465-08-41	575	1	1/2	1625	14.3	1	1	1.6	0.9	2	2,350

Note: Example: 60-465-08-21 (For 230 volt 1 phase motor).