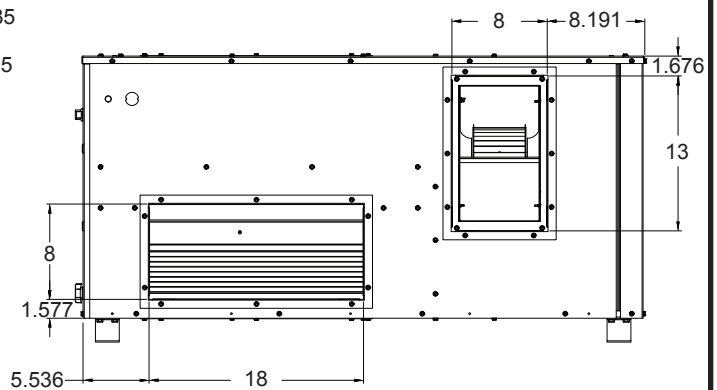
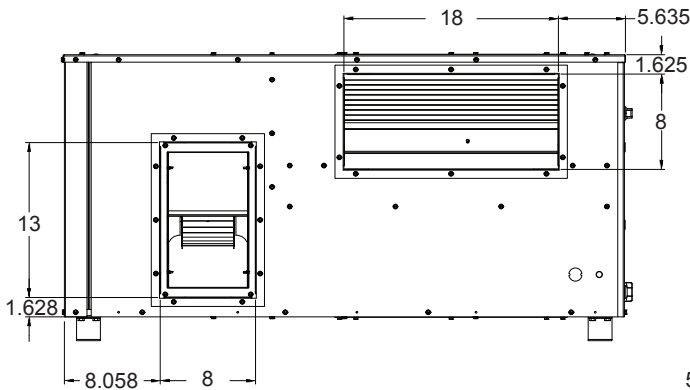
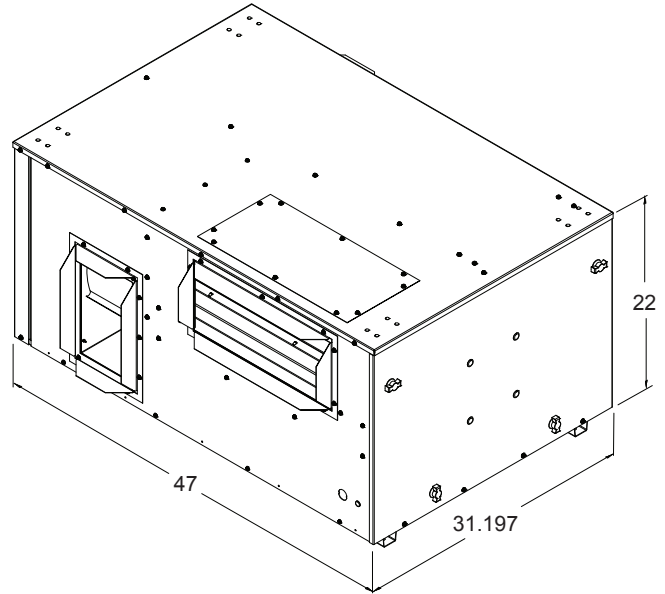


**RRS ERV MODEL# 01-C75-02xH01 / 21
STAND ALONE INDOOR CONVERTIBLE W/ LOW AMBIENT / ROTATION SENSOR / CLIMATE SMART**

Unit Data		
Model#	01-C75-02xH01	01-C75-02xH21
Voltage	115v - 1 Phase	230v - 1 Phase
CFM	700-1073	
MCA - Stationary	23.20	11.55
OCPD - Stationary	30	15
Filter Size	12 x 24 x 2	
Net Weight - lbs.	225	
Shipping Weight - lbs.	261	

Wheel Data		
Model#	01-C75-02xH01	01-C75-02xH21
Potential Volts	115v	230v
Motor Speed -rpm	1050	
Full Load Amps	0.7	0.3
Wheel Depth - in	3	
Wheel Diameter - in	25.3	
Construction / Media	One Piece / Polymeric	



Fresh / Exhaust Air Blower Data (115v)	
Motor - hp	½
Wheel Size (dia x width) -in	DD 10 x 4AT
Motor Speed -rpm	1625
Motor Speed(s)	3
Bearing Type	Sleeve
Full Load Amps	7.6 (10.0 Max)
Service Factor	1

Fresh / Exhaust Air Blower Data (230v)	
Motor - hp Stationary	½
Wheel Size (dia x width) -in	DD 10 x 4AT
Motor Speed -rpm	1625
Motor Speed(s)	3
Bearing Type	Sleeve
Full Load Amps - Stationary	2.8 (5.0 Max)
Service Factor	1