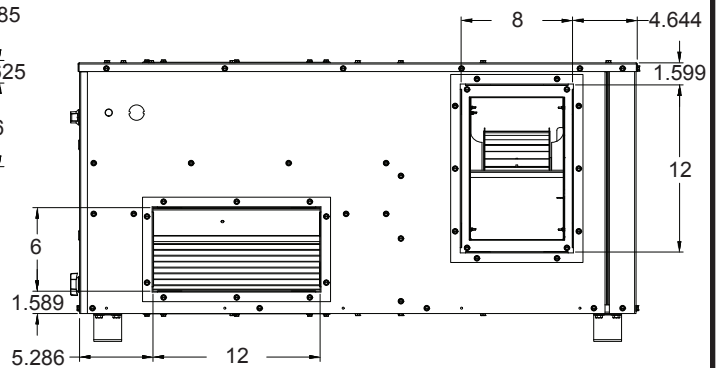
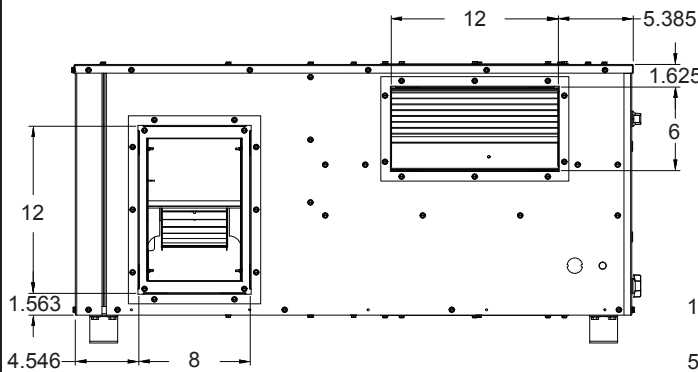
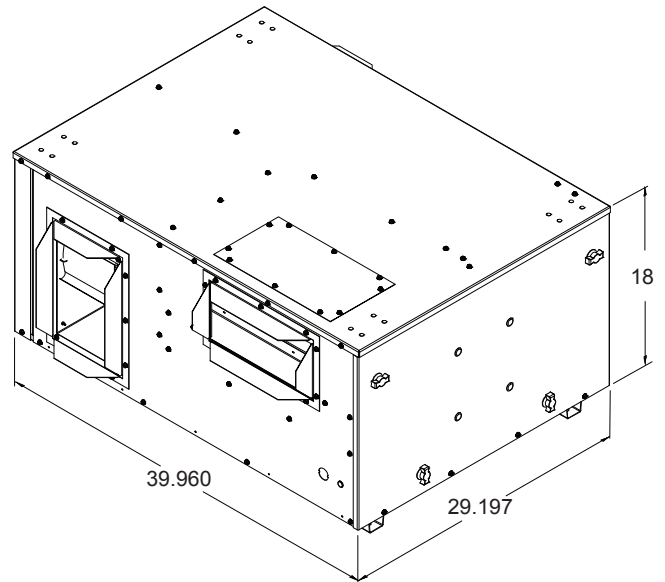


RRS ERV MODEL# 01-C45-02xE01 / 21

STAND ALONE INDOOR CONVERTIBLE W/ LOW AMBIENT / ROTATION SENSOR / CLIMATE SMART

Unit Data		
Model#	01-C45-02xE01	01-C45-02xE21
Voltage	115v - 1 Phase	240v - 1 Phase
CFM	360-680	
MCA - Stationary	13.75	8.18
OCPD - Stationary	15	10
Filter Size	10 x 20 x 2	
Net Weight - lbs.	195	
Shipping Weight - lbs.	215	

Wheel Data		
Model#	01-C45-02xE01	01-C45-02xE21
Potential Volts	115v	230v
Motor Speed -rpm	1050	
Full Load Amps	0.7	0.3
Wheel Depth - in	2	
Wheel Diameter - in	19.3	
Construction / Media	One Piece / Polymeric	



Fresh / Exhaust Air Blower Data (115v)		
Motor - hp	1/3	
Wheel Size (dia x width) -in	DD 9 x 4AT	
Motor Speed -rpm (0-10vdc)	300-1800	
Motor Torque (oz-ft)	HI (21)	LO (15)
Bearing Type	Sleeve	
Full Load Amps	5.8	
Service Factor	1	

Fresh / Exhaust Air Blower Data (230v)		
Motor - hp Stationary	1/3	
Wheel Size (dia x width) -in	DD 9 x 4AT	
Motor Speed -rpm (0-10vdc)	300-1800	
Motor Torque (oz-ft)	HI (21)	LO (15)
Bearing Type	Sleeve	
Full Load Amps - Stationary	3.5	
Service Factor	1	