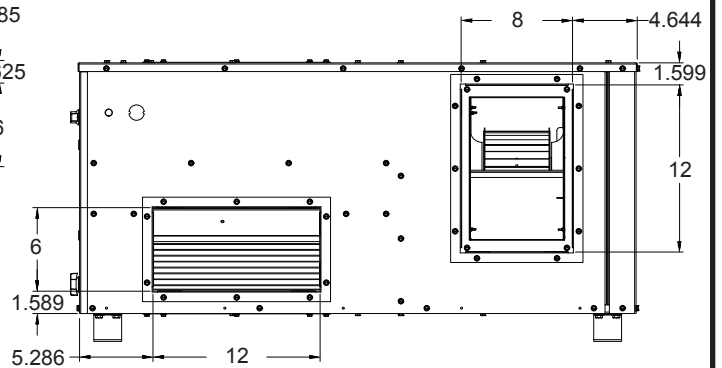
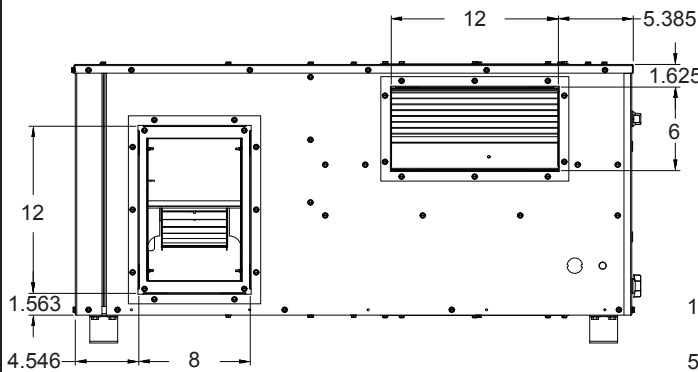
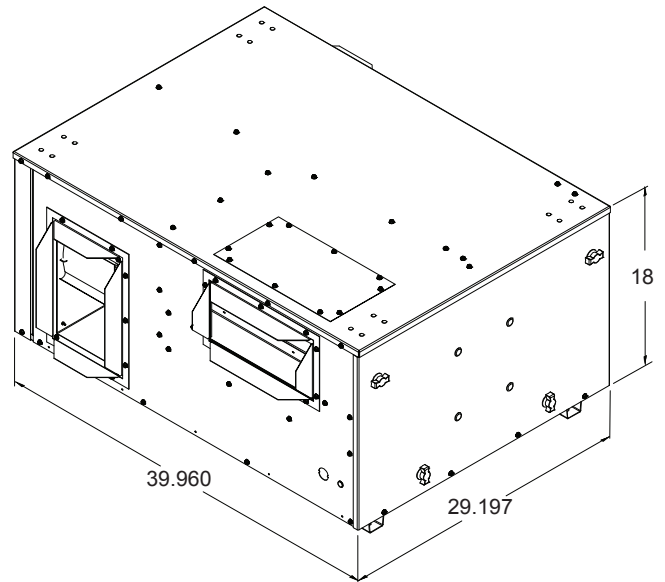


RRS ERV MODEL# 01-C45-02xH01 / 21 STAND ALONE INDOOR CONVERTIBLE W/ LOW AMBIENT / ROTATION SENSOR / CLIMATE SMART

Unit Data		
Model#	01-C45-02xH01	01-C45-02xH21
Voltage	115v - 1 Phase	230v - 1 Phase
CFM	360-680	
MCA - Stationary	14.65	7.95
OCPD - Stationary	20	15
Filter Size	10 x 20 x 2	
Net Weight - lbs.	195	
Shipping Weight - lbs.	215	

Wheel Data		
Model#	01-C45-02xH01	01-C45-02xH21
Potential Volts	115v	230v
Motor Speed -rpm	1050	
Full Load Amps	0.7	0.3
Wheel Depth - in	2	
Wheel Diameter - in	19.3	
Construction / Media	One Piece / Polymeric	



Fresh / Exhaust Air Blower Data (115v)	
Motor - hp	1/3
Wheel Size (dia x width) -in	DD 9 x 4AT
Motor Speed -rpm	1625
Motor Speed(s)	3
Bearing Type	Sleeve
Full Load Amps	4.0 (6.2 Max)
Service Factor	1

Fresh / Exhaust Air Blower Data (230v)	
Motor - hp Stationary	1/3
Wheel Size (dia x width) -in	DD 9 x 4AT
Motor Speed -rpm	1625
Motor Speed(s)	3
Bearing Type	Sleeve
Full Load Amps - Stationary	2.0 (3.4 Max)
Service Factor	1