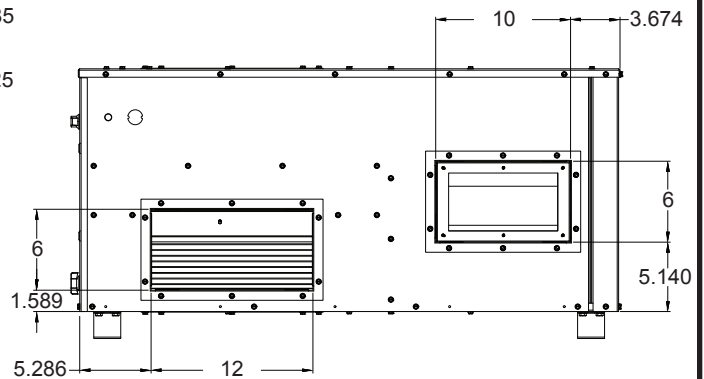
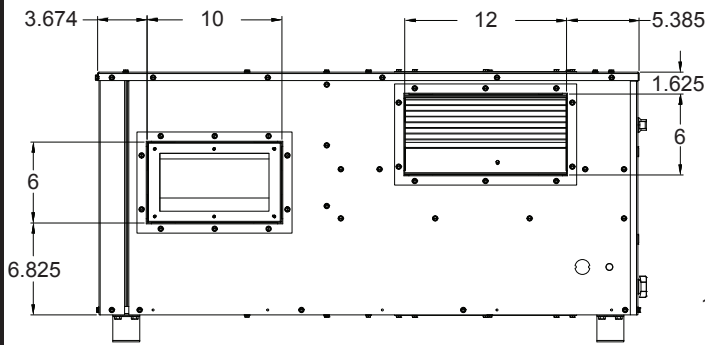
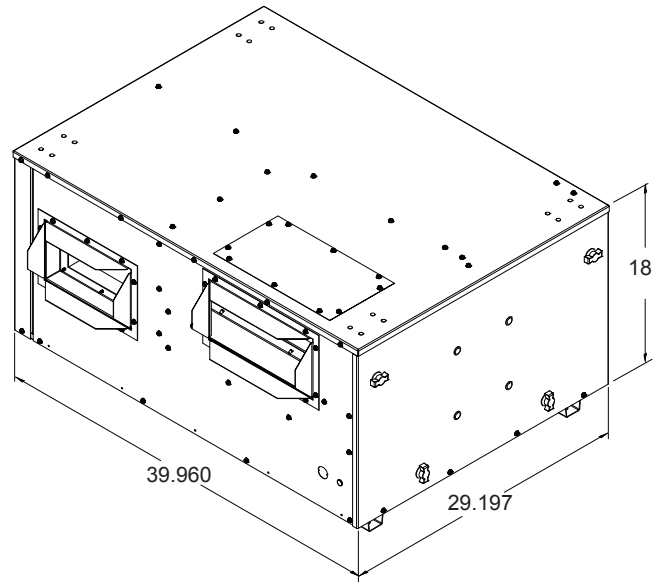


### RRS ERV MODEL# 01-C25-02xH01 / 21 STAND ALONE INDOOR CONVERTIBLE W/ LOW AMBIENT / ROTATION SENSOR / CLIMATE SMART

Unit Data		
Model#	01-C25-02xH01	01-C25-02xH21
Voltage	115v - 1 Phase	230v - 1 Phase
CFM	175-590	
MCA - Stationary	9.25	3.45
OCPD - Stationary	10	5
Filter Size	10 x 20 x 2	
Net Weight - lbs.	190	
Shipping Weight - lbs.	215	

Wheel Data		
Model#	01-C25-02xH01	01-C25-02xH21
Potential Volts	115v	230v
Motor Speed -rpm	1050	
Full Load Amps	0.7	0.3
Wheel Depth - in	1	
Wheel Diameter - in	19.3	
Construction / Media	One Piece / Polymeric	



Fresh / Exhaust Air Blower Data (115v)	
Motor - hp	1/5
Wheel Size (dia x width) -in	DD 5.5 x 6.3
Motor Speed -rpm	1625
Motor Speed(s)	2
Bearing Type	Sleeve
Full Load Amps	3.8
Service Factor	1

Fresh / Exhaust Air Blower Data (230v)	
Motor - hp Stationary	1/5
Wheel Size (dia x width) -in	DD 5.5 x 6.3
Motor Speed -rpm	1625
Motor Speed(s)	2
Bearing Type	Sleeve
Full Load Amps - Stationary	1.4
Service Factor	1

FOR LIST PRICES: FORM#

SEPTEMBER 13, 2017 FORM# RSIMV250-2

SUPERSEDES 08-05-15