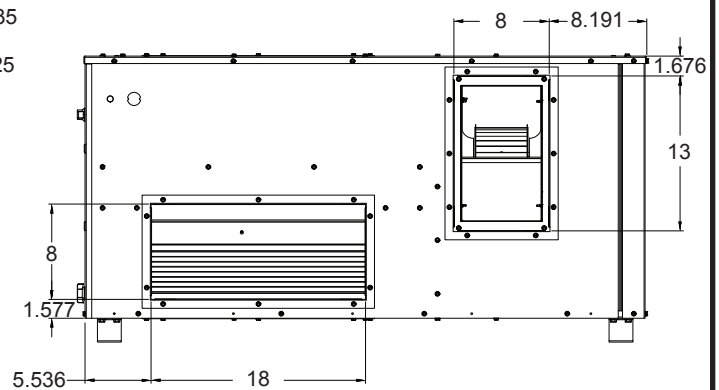
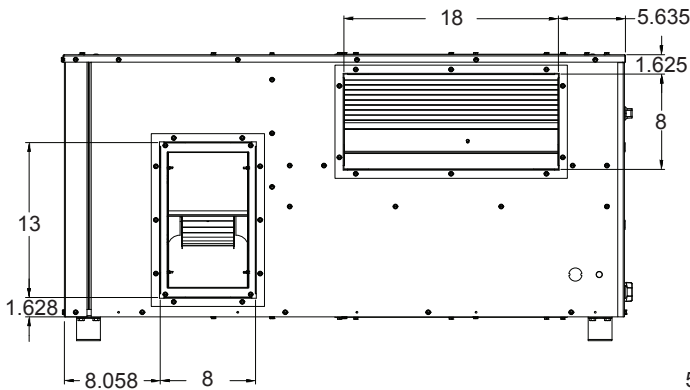
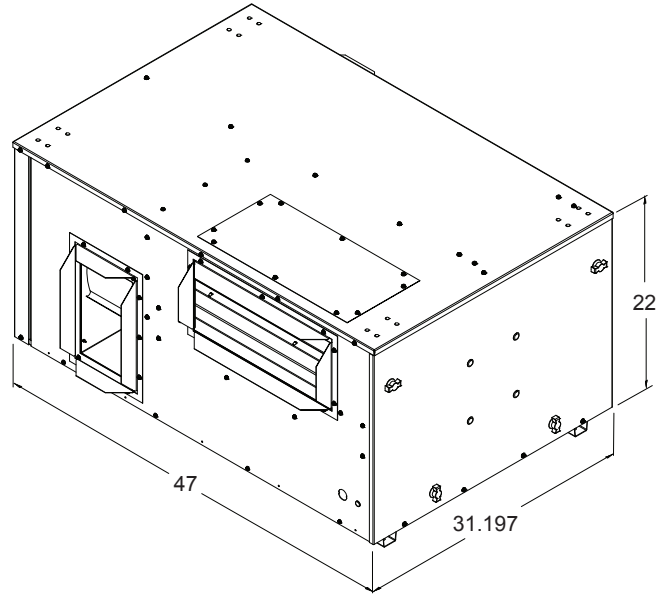


### RRS ERV MODEL# 01-C75-02xE01 / 21 STAND ALONE INDOOR CONVERTIBLE W/ LOW AMBIENT / ROTATION SENSOR / CLIMATE SMART

Unit Data		
Model#	01-C75-02xE01	01-C75-02xE21
Voltage	115v - 1 Phase	240v - 1 Phase
CFM	700-1073	
MCA - Stationary	18.93	11.10
OCPD - Stationary	25	15
Filter Size	12 x 24 x 2	
Net Weight - lbs.	225	
Shipping Weight - lbs.	261	

Wheel Data		
Model#	01-C75-02xE01	01-C75-02xE21
Potential Volts	115v	230v
Motor Speed -rpm	1050	
Full Load Amps	0.7	0.3
Wheel Depth - in	3	
Wheel Diameter - in	25.3	
Construction / Media	One Piece / Polymeric	



Fresh / Exhaust Air Blower Data (115v)	
Motor - hp	½
Wheel Size (dia x width) -in	DD 10 x 4AT
Motor Speed -rpm (0-10vdc)	300-1800
Motor Torque (oz-ft)	HI (32) LO (23)
Bearing Type	Sleeve
Full Load Amps	8.1
Service Factor	1

Fresh / Exhaust Air Blower Data (230v)	
Motor - hp Stationary	½
Wheel Size (dia x width) -in	DD 10 x 4AT
Motor Speed -rpm (0-10vdc)	300-1800
Motor Torque (oz-ft)	HI (32) LO (23)
Bearing Type	Sleeve
Full Load Amps - Stationary	4.8
Service Factor	1