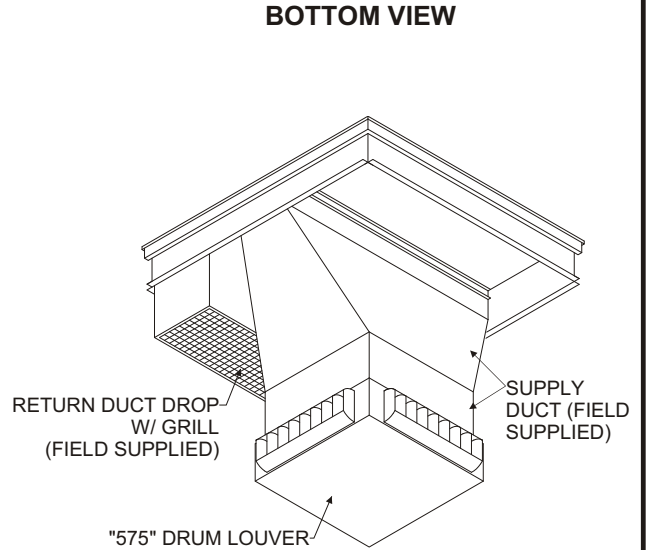
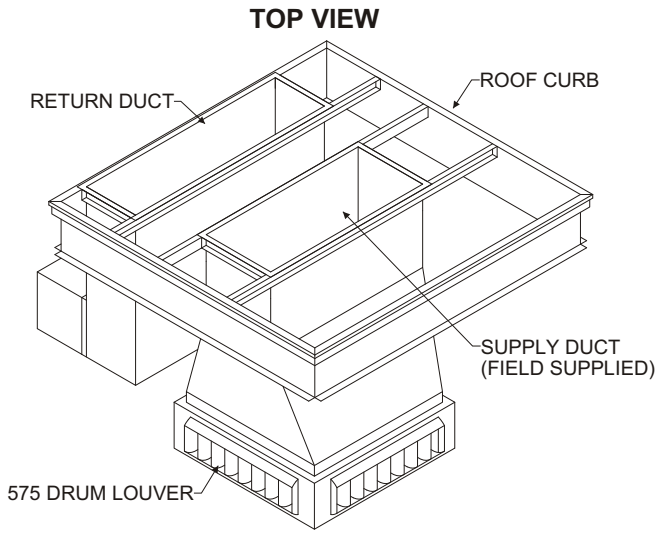


575 SERIES

DRUM LOUVER DIFFUSERS



RRS's 575 SERIES supply diffuser systems are designed to provide an air distribution system with the benefit of having directional air control. The system is ideal for open ceiling applications that need single point supply air with long throws. The Drum Louver allows you to "spot" the air where you need it the most.

Standard features include:

1. All aluminum diffuser.
2. Drum Louver diffusers for installations that are high above the floor.
3. Internal air deflector for quiet operation and low static.
4. Optional Duct Cap Accessory.
5. Built in hanging supports in Duct Cap Accessory.

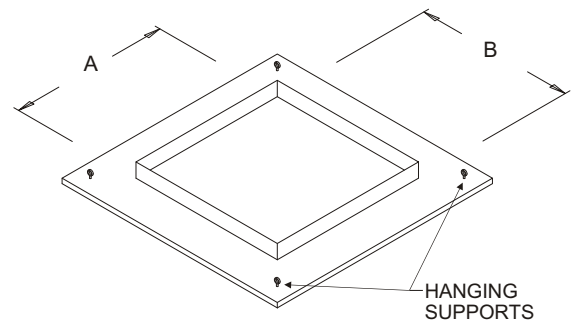
TYPICAL SPECIFICATIONS

Furnish and install Ruskin Rooftop Systems **"575 Series"** Supply diffuser systems. The system shall consist of aluminum **drum louver** supply diffusers, and incorporate an internal transition to ensure quiet, even airflow.

Furnish and install Ruskin Rooftop Systems **"575 Series with a Duct Cap Accessory"**. The system shall consist of aluminum **drum louver** supply diffusers, an internal transition to ensure quiet, even airflow, and an insulated duct cap designed to mate with the diffuser. Hanging supports will be provided with the duct cap.

575 MODEL W/O CAP	575 MODEL W/ CAP	DUCT SIZE	
		A	B
01-575-2010	01-575-201024	24	
01-575-2510	01-575-251028	28	
01-575-3012	01-575-301230	30	
01-575-3510	01-575-351036	36	
01-575-4010	01-575-401042	42	
01-575-5010	01-575-501044	44	

575 SERIES ACCESSORY DUCT CAP

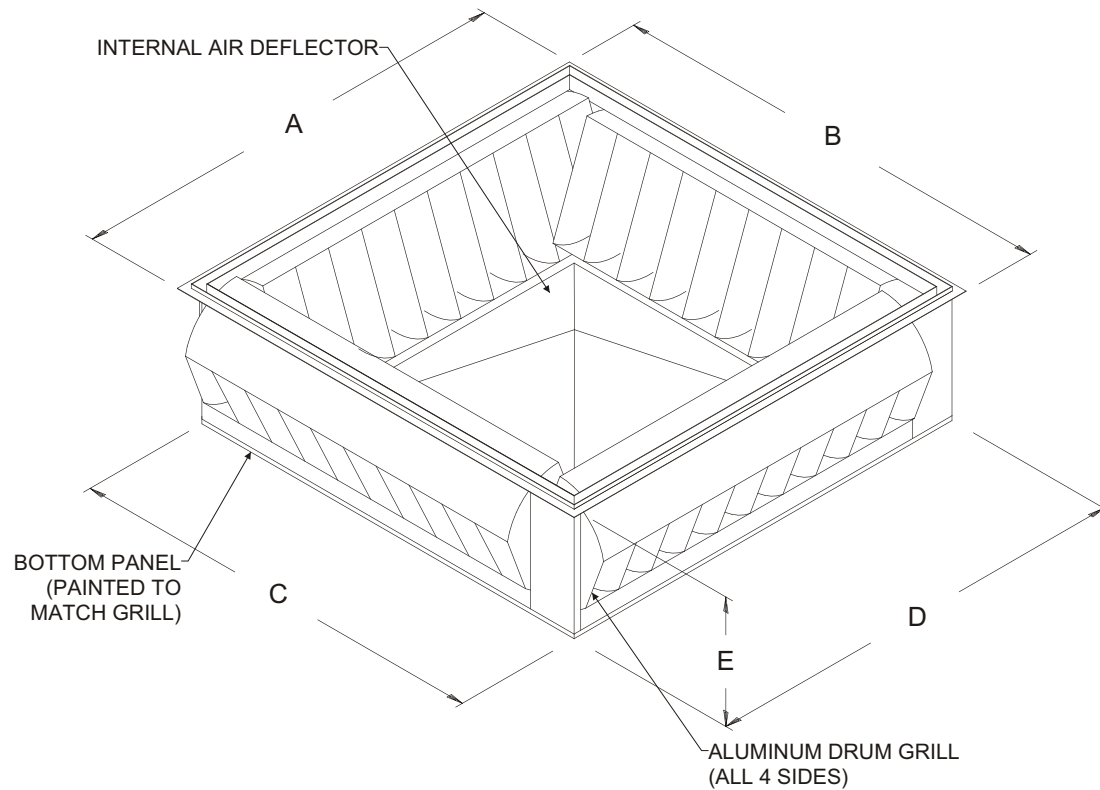


THE DUCT CAP ACCESSORY IS ATTACHED TO THE DIFFUSER & FULLY INSULATED

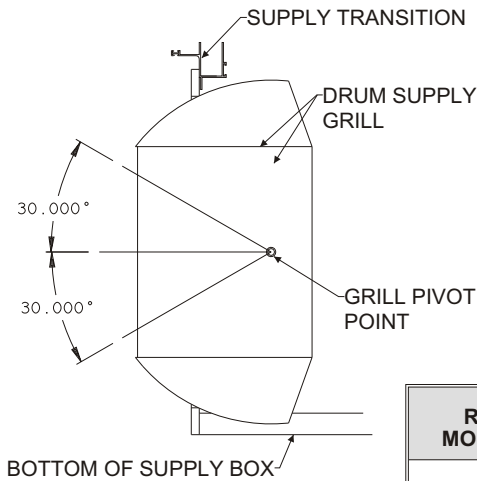
JUNE 7, 2017 FORM# DIFF-575
SUPERSEDES 07-27-12

575 SERIES

DRUM LOUVER DIFFUSERS



FOR 575 SERIES ACCESSORY DUCT CAP SEE FRONT PAGE



RRS MODEL#	A	B	C	D	E	GRILL SIZE
01-575-2010	29.625	29.625	27.500	27.500	13.000	20 x 10
01-575-2510	34.625	34.625	32.500	32.500	13.000	25 X 10
01-575-3012	39.625	39.625	37.500	37.500	15.000	30 X 12
01-575-3510	44.625	44.625	42.500	42.500	13.000	35 X 10
01-575-4010	49.625	49.625	47.500	47.500	13.000	40 X 10
01-575-5010	59.625	59.625	57.500	57.500	13.000	50 X 10

RRS MODEL#	CFM	30° DEFLECTION			0° DEFLECTION		
		NOISE	STATIC	THROW	NOISE	STATIC	THROW
01-575-2010	4000-5000	<45	.420	34-37	<40	.29	40-45
01-575-2510	6000	<45	.508	39	<40	.33	48
01-575-3012	8000	<45	.440	47	<40	.30	63
01-575-3510	8000	<45	.440	47	<40	.30	63
01-575-4010	10000	<45	.528	46	<40	.33	62
01-575-5010	12000	<45	.543	56	<40	.35	72

JUNE 7, 2017 FORM# DIFF-575
SUPERSEDES 07-27-12