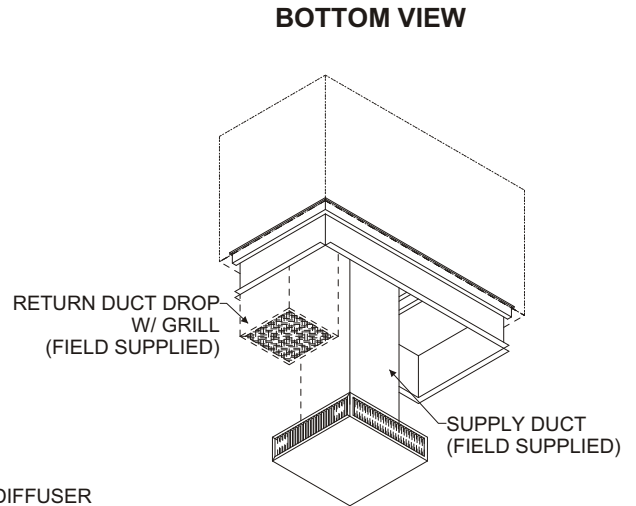
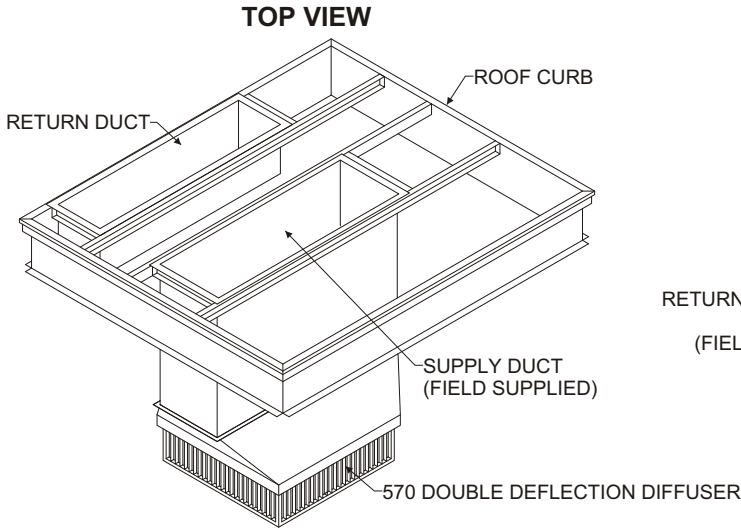


570 SERIES

DOUBLE DEFLECTION SUPPLY DIFFUSERS



"570" DIFFUSER W/ OPTIONAL DUCT CAP FOR REDUCED DUCT SIZE

RRS's 570 SERIES supply diffuser systems are designed to provide an air distribution system with the benefit of having directional air control. The system is ideal for open ceiling applications that need single point supply air with control over where the air is distributed.

Standard features include:

1. All aluminum diffuser.
2. Double deflection diffuser with blades secured with spring steel.
3. Internal air deflector for quiet operation and low static.
4. Optional Duct Cap Accessory.
5. Built in hanging supports in Duct Cap Accessory.

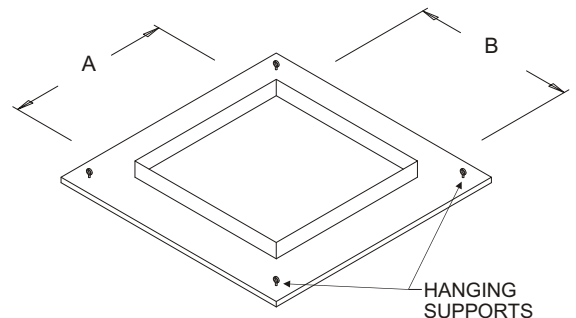
570 MODEL W/O CAP	570 MODEL W/ CAP	DUCT SIZE	
		A	B
01-570-24	01-570-2418R	18 ROUND	
	01-570-2418	18	
01-570-36	01-570-3620R	20 ROUND	
	01-570-3624	24	
01-570-40	01-570-4028	28	
01-570-60	01-570-6030	30	
01-570-80	01-570-8036	36	
	01-570-8042	42	
01-570-300	01-570-30044	44	

TYPICAL SPECIFICATIONS

Furnish and install Ruskin Rooftop Systems **"570 Series"** Supply diffuser systems. The system shall consist of an extruded aluminum frame, aluminum **double deflection** supply diffusers, a 20 gauge galvanized steel bottom panel powder painted to match the aluminum extrusion and an insulated internal transition to ensure quiet, even airflow.

Furnish and install Ruskin Rooftop Systems **"570 Series with a Duct Cap Accessory"**. The system shall consist of aluminum **double deflection** supply diffusers, an internal transition to ensure quiet, even airflow, and an insulated duct cap designed to mate with the diffuser. Hanging supports will be provided with the duct cap.

570 SERIES ACCESSORY DUCT CAP



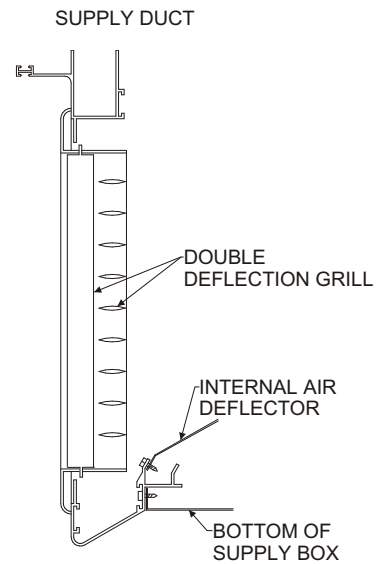
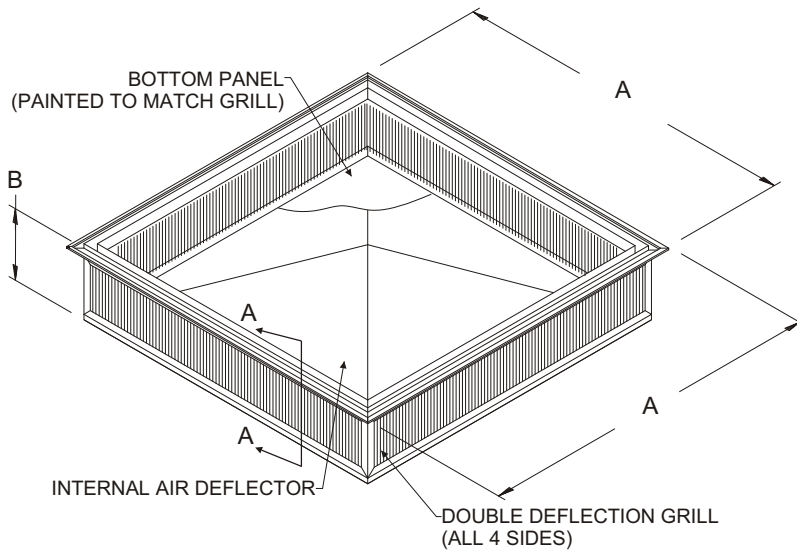
THE DUCT CAP ACCESSORY IS ATTACHED TO THE DIFFUSER & FULLY INSULATED

JUNE 7, 2017 FORM# DIFF-570
SUPERSEDES 07-27-12

570 SERIES

DOUBLE DEFLECTION SUPPLY DIFFUSERS

RRS MODEL#	A	B
01-570-24	23 ⁵ / ₈	7 ¹ / ₄
01-570-36	35 ⁵ / ₈	9
01-570-40	40	11
01-570-60	47 ⁵ / ₈	10
01-570-80	59 ⁵ / ₈	11
01-570-300	65 ⁵ / ₈	11



SECTION A-A

FOR 570 SERIES ACCESSORY DUCT CAP SEE FRONT PAGE

ENGINEERING DATA					
RRS MODEL#	CFM	NECK VEL.	STATIC	THROW	NOISE
01-570-24	600	270	.04	12-17	20
	800	364	.06	16-22	
	1000	450	.07	20-28	
	1200	536	.09	24-33	
	1400	625	.11	28-39	25
	1600	714	.14	33-44	
	1800	804	.16	41-52	
01-570-36	2000	893	.19	46-55	30
	3600	810	.19	49-54	25
	3800	863	.21	50-55	
	4000	909	.23	51-56	30
	4200	955	.26	53-60	
4400	1000	.30	54-62		
01-570-40	5400	1116	.18	45-53	30
	5600	1157	.19	47-55	
	5800	1198	.22	50-57	
	6000	1240	.25	53-59	
	6200	1281	.27	54-61	35
	6400	1322	.30	56-63	
	6600	1364	.33	58-65	
	7000	1405	.37	59-67	

ENGINEERING DATA					
RRS MODEL#	CFM	NECK VEL.	STATIC	THROW	NOISE
01-570-60	5600	920	.18	39-49	30
	5800	954	.21	42-51	
	6000	1022	.24	44-54	
	6200	1056	.26	45-55	35
	6400	1890	.28	46-55	
	6600	1124	.30	47-56	
01-570-80	7200	827	.18	33-38	25
	8000	918	.20	39-44	
	8800	1010	.22	47-55	30
	9600	1101	.27	54-62	
	10000	1148	.30	57-65	
01-570-300	11200	1140	.30	44-65	40
	12000	1300	.34	52-70	

- NOTE:
1. For white diffusers change the "01" numbers to "90". Example: 90-570-24
 2. Special sizes available. Call for details.

JUNE 7, 2017 FORM# DIFF-570
SUPERSEDES 07-27-12

RRS ROOFTOP
SYSTEMS

1625 Diplomat Drive, Carrollton, Texas 75006-6510 Phone (972) 247-7447 (800) 552-4822 Fax (972) 243-0940