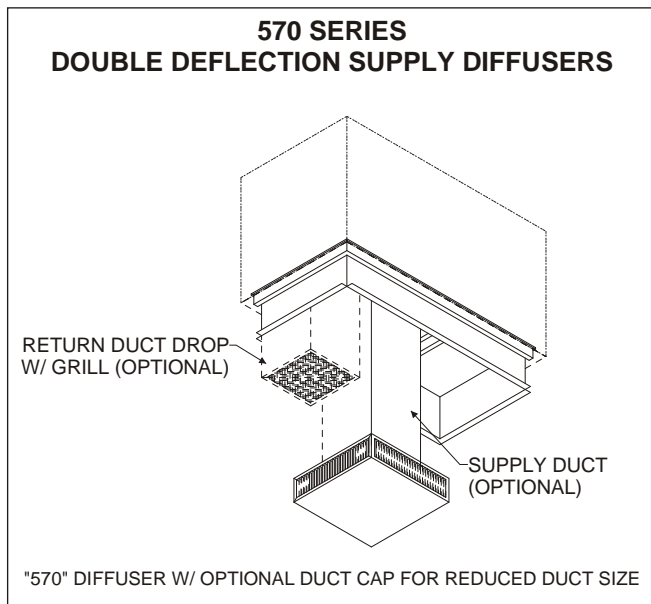


# Ruskin Rooftop Systems Specialty Diffuser Systems for Open Ceiling Applications



**RRS's 570 SERIES** supply diffuser systems are designed to provide an air distribution system with the benefit of having directional air control. The system is ideal for open ceiling applications that need single point supply air with control over where the air is distributed.

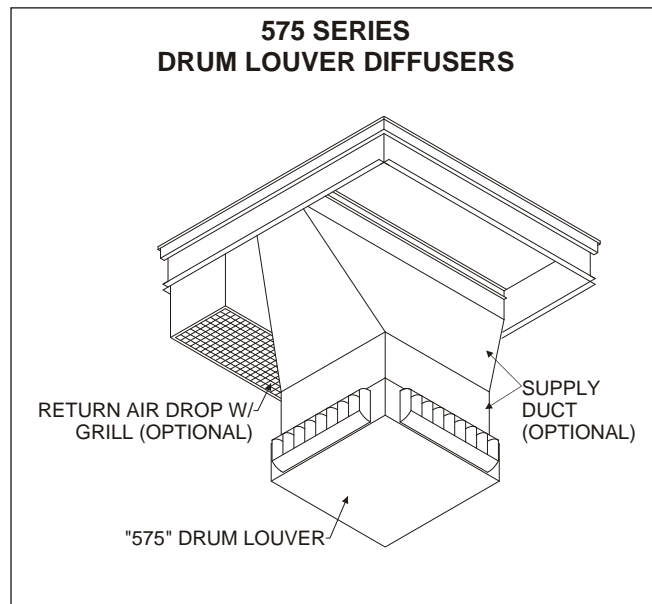
Standard features include:

1. All aluminum diffuser.
2. Double deflection diffuser with blades secured with spring steel.
3. Internal air transition for quiet operation and low static.
4. Optional Duct Cap Accessory.
5. Built in hanging supports in Duct Cap Accessory.

## TYPICAL SPECIFICATIONS

Furnish and install Ruskin Rooftop Systems "**570 Series**" Supply diffuser systems. The system shall consist of an extruded aluminum frame, aluminum **double deflection** supply diffusers, a 20 gauge galvanized steel bottom panel powder painted to match the aluminum extrusion and an insulated internal transition to ensure quiet, even airflow.

Furnish and install Ruskin Rooftop Systems "**570 Series with a Duct Cap Accessory**". The system shall consist of aluminum **double deflection** supply diffusers, an internal transition to ensure quiet, even airflow, and an insulated duct cap designed to mate with the diffuser. Hanging supports will be provided with the duct cap.



**RRS's 575 SERIES** supply diffuser systems are designed to provide an air distribution system with the benefit of having directional air control. The system is ideal for open ceiling applications that need single point supply air with long throws. The Drum Louver allows you to "spot" the air where you need it the most.

Standard features include:

1. All aluminum diffuser.
2. Drum Louver diffusers for installations that are high above the floor.
3. Internal air transition for quiet operation and low static.
4. Optional Duct Cap Accessory.
5. Built in hanging supports in Duct Cap Accessory.

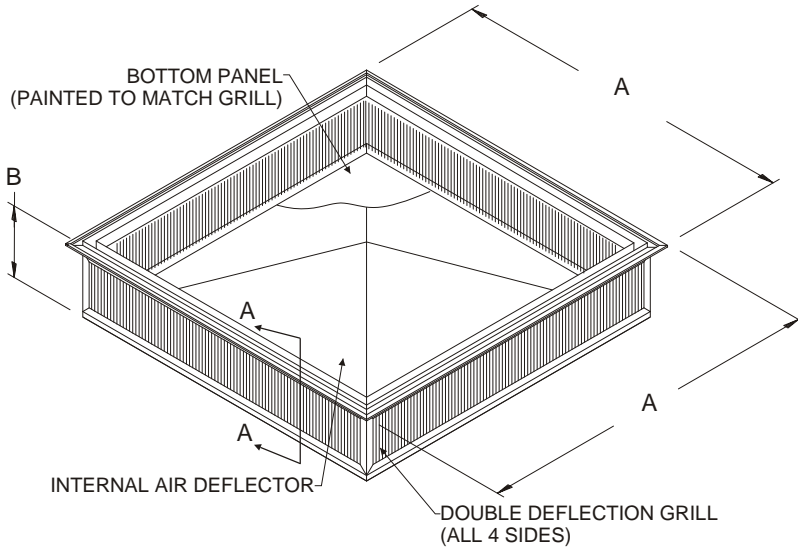
## TYPICAL SPECIFICATIONS

Furnish and install Ruskin Rooftop Systems "**575 Series**" Supply diffuser systems. The system shall consist of aluminum **drum louver** supply diffusers, and incorporate an internal transition to ensure quiet, even airflow.

Furnish and install Ruskin Rooftop Systems "**575 Series with a Duct Cap Accessory**". The system shall consist of aluminum **drum louver** supply diffusers, an internal transition to ensure quiet, even airflow, and an insulated duct cap designed to mate with the diffuser. Hanging supports will be provided with the duct cap.

# 570 SERIES

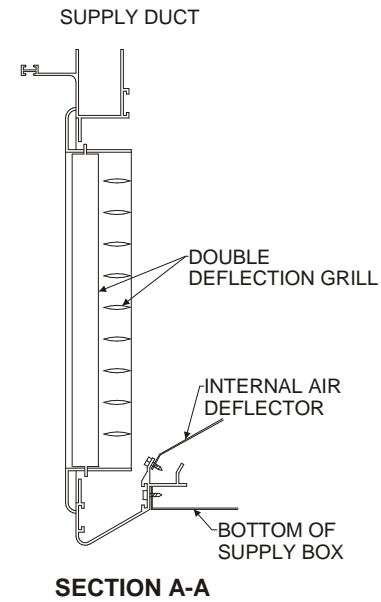
## DOUBLE DEFLECTION SUPPLY DIFFUSERS



RRS MODEL#	A	B
01-570-24	23 <sup>5</sup> / <sub>8</sub>	7 <sup>1</sup> / <sub>4</sub>
01-570-36	35 <sup>5</sup> / <sub>8</sub>	9
01-570-40	40	11
01-570-60	47 <sup>5</sup> / <sub>8</sub>	10
01-570-80	59 <sup>5</sup> / <sub>8</sub>	11
01-570-300	65 <sup>5</sup> / <sub>8</sub>	11

FOR 570 SERIES ACCESSORY DUCT CAP SEE BACK PAGE

ENGINEERING DATA					
RRS MODEL#	CFM	NECK VEL.	STATIC	THROW	NOISE
01-570-24	600	270	.04	12-17	20
	800	364	.06	16-22	
	1000	450	.07	20-28	
	1200	536	.09	24-33	
	1400	625	.11	28-39	25
	1600	714	.14	33-44	
	1800	804	.16	41-52	
01-570-36	2000	893	.19	46-55	30
	3600	810	.19	49-54	25
	3800	863	.21	50-55	
	4000	909	.23	51-56	30
	4200	955	.26	53-60	
4400	1000	.30	54-62		
01-570-40	5400	1116	.18	45-53	30
	5600	1157	.19	47-55	
	5800	1198	.22	50-57	
	6000	1240	.25	53-59	
	6200	1281	.27	54-61	35
	6400	1322	.30	56-63	
	6600	1364	.33	58-65	
	7000	1405	.37	59-67	



ENGINEERING DATA					
RRS MODEL#	CFM	NECK VEL.	STATIC	THROW	NOISE
01-570-60	5600	920	.18	39-49	30
	5800	954	.21	42-51	
	6000	1022	.24	44-54	
	6200	1056	.26	45-55	35
	6400	1890	.28	46-55	
	6600	1124	.30	47-56	
01-570-80	7200	827	.18	33-38	25
	8000	918	.20	39-44	
	8800	1010	.22	47-55	30
	9600	1101	.27	54-62	
	10000	1148	.30	57-65	
01-570-300	11200	1140	.30	44-65	40
	12000	1300	.34	52-70	

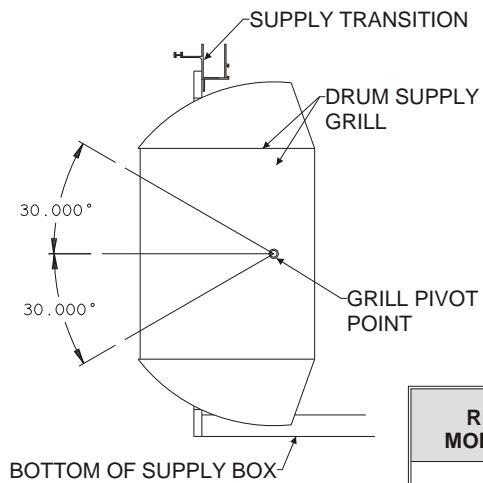
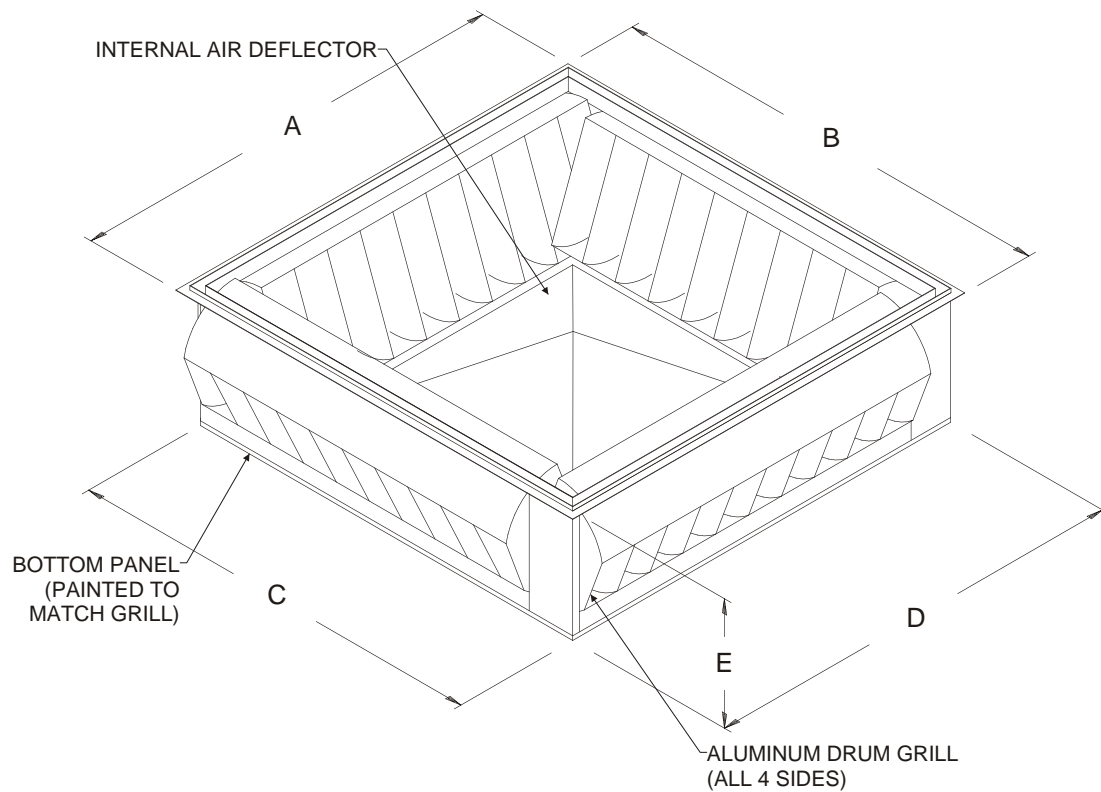
- NOTE: 1. For white diffusers change the "01" numbers to "90". Example: 90-570-24  
 2. Special sizes available. Call for details.



NOVEMBER 13, 2009 FORM# DIFF-INS  
 SUPERCEDES 08-28-02

# 575 SERIES

# DRUM LOUVER DIFFUSERS



FOR 575 SERIES ACCESSORY DUCT CAP SEE BACK PAGE

RRS MODEL#	A	B	C	D	E	GRILL SIZE
01-575-2010	29.625	29.625	27.500	27.500	13.000	20 x 10
01-575-2510	34.625	34.625	32.500	32.500	13.000	25 X 10
01-575-3012	39.625	39.625	37.500	37.500	15.000	30 X 12
01-575-3510	44.625	44.625	42.500	42.500	13.000	35 X 10
01-575-4010	49.625	49.625	47.500	47.500	13.000	40 X 10
01-575-5010	59.625	59.625	57.500	57.500	13.000	50 X 10

RRS MODEL#	CFM	30° DEFLECTION			0° DEFLECTION		
		NOISE	STATIC	THROW	NOISE	STATIC	THROW
01-575-2010	4000-5000	<45	.420	34-37	<40	.29	40-45
01-575-2510	6000	<45	.508	39	<40	.33	48
01-575-3012	8000	<45	.440	47	<40	.30	63
01-575-3510	8000	<45	.440	47	<40	.30	63
01-575-4010	10000	<45	.528	46	<40	.33	62
01-575-5010	12000	<45	.543	56	<40	.35	72

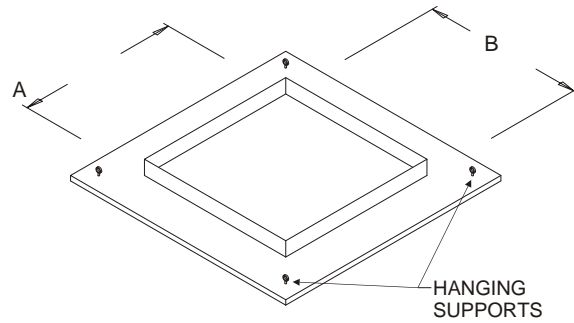
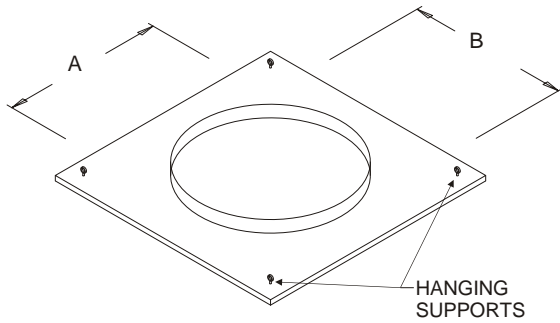


NOVEMBER 13, 2009 FORM# DIFF-INS  
SUPERCEDES 08-28-02

1625 Diplomat Drive, Carrollton, Texas 75006-6510 Phone (972) 247-7447 (800) 552-4822 Fax (972) 243-0940

# 570 & 575 SERIES

## DUCT CAP ACCESSORIES



THE DUCT CAP ACCESSORY IS ATTACHED TO THE DIFFUSER & FULLY INSULATED

STD. 570 DIFFUSER MODEL	570 MODEL W/CAP	DUCT SIZE	
		A	B
01-570-24	01-570-2418R	18	*
	01-570-2418	18	18
01-570-36	01-570-3620R	20	*
	01-570-3624	24	24
01-570-40	01-570-4028	28	28
01-570-60	01-570-6030	30	30
01-570-80	01-570-8036	36	36
	01-570-8042	42	42
01-570-300	01-570-30044	44	44

STD. 575 DIFFUSER MODEL	575 MODEL W/CAP	DUCT SIZE	
		A	B
01-575-2010	01-575-201024	24	24
01-575-2510	01-575-251028	28	28
01-575-2510	01-575-251030	30	30
01-575-3510	01-575-351036	36	36
01-575-4010	01-575-401042	42	42
01-575-5010	01-575-501044	44	44

### NOTES:

1. Special sizes available upon request.
2. Cap shipped attached to diffuser.
3. Part number with cap is the complete assembly. Example: 01-570-3624



1625 Diplomat Drive  
 Carrollton, Texas 75006-6510  
 Phone (972) 247-7447  
 (800) 552-4822  
 Fax (972) 243-0940  
 www.rooftopsystems.com

### MANUFACTURERS OF:

Roof Curbs  
 Economizers  
 Concentric Diffuser Systems  
 Energy Recovery Modules  
 Hail Guards  
 Burglar Bars  
 Other Specialty Products